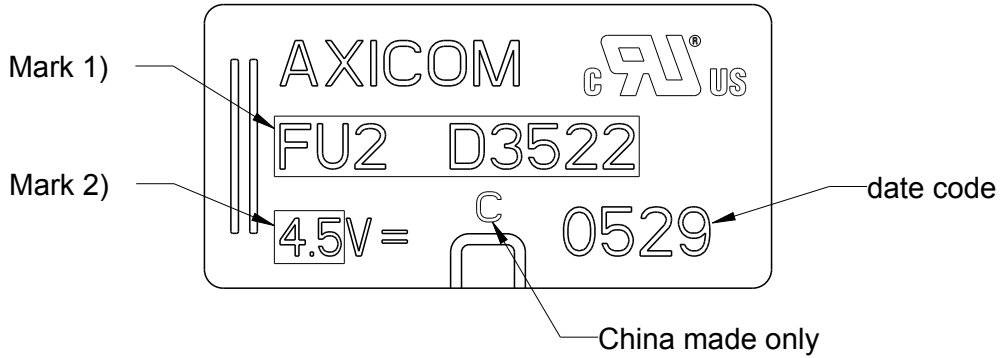


LOC	DIST	REVISIONS					
		P	LTR	DESCRIPTION	DATE	DWN	APVD
HJ	-		A1	New Positions 64-75	08Oct2007	UKo	HD
			B	Change Mark 1 (FU2)	23Feb2010	UKo	HD
			C	for China print	25Feb2010	UKo	HD



Pos.	Relay-Typ	Mark 1)	Mark 2)	PN
1	D3401	FT2 D3401	3	1462035-1
2	D3402	FT2 D3402	4.5	1462035-2
3	D3403	FT2 D3403	5	1462035-3
4	D3404	FT2 D3404	6	1462035-4
5	D3405	FT2 D3405	9	1462035-5
6	D3406	FT2 D3406	12	1462035-6
7	D3407	FT2 D3407	24	1462035-7
8	D3408	FT2 D3408	48	1462035-8
9	D3421	FT2 D3421	3	1462035-9
10	D3422	FT2 D3422	4.5	1-1462035-0
11	D3423	FT2 D3423	5	1-1462035-1
12	D3424	FT2 D3424	6	1-1462035-2
13	D3425	FT2 D3425	9	1-1462035-3
14	D3426	FT2 D3426	12	1-1462035-4
15	D3427	FT2 D3427	24	1-1462035-7

2006


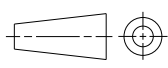
RELEASED FOR PUBLICATION

THIS DRAWING IS UNPUBLISHED.

BY TYCO ELECTRONICS CORPORATION. ALL RIGHTS RESERVED.

© COPYRIGHT 2006

DRAWING ALIAS

DIMENSIONS: mm	DWN UKo 9193	30Jan2006	MATERIAL	-	FINISH	-				
	TOLERANCES UNLESS OTHERWISE SPECIFIED: DIN 7168-m	CHK HD 9121	30Jan2006	 TE Connectivity						
APVD HD 9121		30Jan2006								
0 PLC ±- 1 PLC ±- 2 PLC ±- 3 PLC ±- 4 PLC ±- ANGLES ±-	PRODUCT SPEC	-	NAME FT2/FU2-Relay Marking							
	APPLICATION SPEC	-	SIZE	A4	CAGE CODE	00779	DRAWING NO	C-1462035-2	RESTRICTED TO	-
	WEIGHT	-	CUSTOMER DRAWING							
				SCALE	5:1	SHEET	1	OF	4	REV

LOC	DIST	REVISIONS					
HJ	-	P	LTR	DESCRIPTION	DATE	DWN	APVD
				see sheet 1			

Pos.	Relay-Typ	Mark 1)	Mark 2)	PN
16	D3428	FT2 D3428	48	1-1462035-8
17	D3429	FT2 D3429	4	1-1462035-9
18	D3491	FT2 D3491	3	2-1462035-0
19	D3491L	FT2 D3491	3	2-1462035-7
20	D3492	FT2 D3492	4.5	2-1462035-1
21	D3493	FT2 D3493	5	1-1462035-5
22	D3493L	FT2 D3493	5	2-1462035-8
23	D3493N	FT2 D3493	5	1-1462035-6
24	D3494	FT2 D3494	6	2-1462035-2
25	D3495	FT2 D3495	9	2-1462035-3
26	D3496	FT2 D3496	12	2-1462035-4
27	D3497	FT2 D3497	24	2-1462035-5
28	D3498	FT2 D3498	48	2-1462035-6
29	D3501N	FU2 D3501	3	1462036-1
30	D3501W	FU2 D3501	3	1462036-2
31	D3502N	FU2 D3502	4.5	1462036-3
32	D3502W	FU2 D3502	4.5	1462036-4
33	D3503N	FU2 D3503	5	1462036-5
34	D3503W	FU2 D3503	5	1462036-6
35	D3504N	FU2 D3504	6	1462036-7
36	D3504W	FU2 D3504	6	1462036-8
37	D3505N	FU2 D3505	9	1462036-9
38	D3505W	FU2 D3505	9	1-1462036-0
39	D3506N	FU2 D3506	12	1-1462036-1

2006


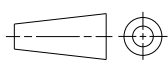
RELEASED FOR PUBLICATION

THIS DRAWING IS UNPUBLISHED.

BY TYCO ELECTRONICS CORPORATION. ALL RIGHTS RESERVED.

© COPYRIGHT 2006

DRAWING ALIAS

DIMENSIONS: mm	DWN UKo 9193	30Jan2006	MATERIAL	-	FINISH	-
	CHK HD 9121	30Jan2006	 TE Connectivity			
TOLERANCES UNLESS OTHERWISE SPECIFIED: DIN 7168-m	APVD HD 9121	30Jan2006				
0 PLC ±-	PRODUCT SPEC	NAME FT2/FU2-Relay Marking				
1 PLC ±-	-					
2 PLC ±-	APPLICATION SPEC	SIZE CAGE CODE DRAWING NO RESTRICTED TO				
3 PLC ±-	-					
4 PLC ±-	WEIGHT	A4 00779 © = 1462035-2 -				
ANGLES ±-	-					
		CUSTOMER DRAWING		SCALE 5:1	SHEET 2 OF 4	REV C

LOC HJ	DIST -	REVISIONS					
		P	LTR	DESCRIPTION	DATE	DWN	APVD
				see sheet 1			

Pos.	Relay-Typ	Mark 1)	Mark 2)	PN
40	D3506W	FU2 D3506	12	1-1462036-2
41	D3507N	FU2 D3507	24	1-1462036-3
42	D3507W	FU2 D3507	24	1-1462036-4
43	D3508N	FU2 D3508	48	1-1462036-5
44	D3508W	FU2 D3508	48	1-1462036-6
45	D3521N	FU2 D3521	3	1-1462036-7
46	D3521W	FU2 D3521	3	1-1462036-8
47	D3522N	FU2 D3522	4.5	1-1462036-9
48	D3522W	FU2 D3522	4.5	2-1462036-0
49	D3523N	FU2 D3523	5	2-1462036-1
50	D3523W	FU2 D3523	5	2-1462036-2
51	D3523HN	FU2 D3523	5	9-1462036-6
52	D3524N	FU2 D3524	6	2-1462036-3
53	D3524W	FU2 D3524	6	2-1462036-4
54	D3525N	FU2 D3525	9	2-1462036-5
55	D3525W	FU2 D3525	9	2-1462036-6
56	D3526N	FU2 D3526	12	2-1462036-7
57	D3526W	FU2 D3526	12	2-1462036-8
58	D3527N	FU2 D3527	24	2-1462036-9
59	D3527W	FU2 D3527	24	9-1462036-1
60	D3528N	FU2 D3528	48	9-1462036-3
61	D3528W	FU2 D3528	48	9-1462036-5
62	D3529N	FU2 D3529	4	3-1462036-0
63	D3529W	FU2 D3529	4	3-1462036-1

2006


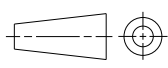
RELEASED FOR PUBLICATION

THIS DRAWING IS UNPUBLISHED.

BY TYCO ELECTRONICS CORPORATION. ALL RIGHTS RESERVED.

© COPYRIGHT 2006

DRAWING ALIAS

DIMENSIONS: mm	DWN UKo 9193	30Jan2006	MATERIAL	-	FINISH	-
	CHK HD 9121	30Jan2006	 TE Connectivity			
TOLERANCES UNLESS OTHERWISE SPECIFIED: DIN 7168-m	APVD HD 9121	30Jan2006				
0 PLC ±-	PRODUCT SPEC	-	NAME FT2/FU2-Relay Marking			
1 PLC ±-	APPLICATION SPEC	-				
2 PLC ±-	WEIGHT	-	SIZE	A4	CAGE CODE	00779
3 PLC ±-		RESTRICTED TO -	DRAWING NO	C- 1462035-2		
4 PLC ±-			CUSTOMER DRAWING	SCALE	5:1	SHEET
ANGLES ±-			REV	C		

LOC	DIST	REVISIONS					
HJ	-	P	LTR	DESCRIPTION	DATE	DWN	APVD
				see sheet 1			

Pos.	Relay-Typ	Mark 1)	Mark 2)	PN
64	D3571W	FU2 D3571	3	7-1462035-1
65	D3573W	FU2 D3573	5	7-1462035-2
66	D3576N	FU2 D3576	12	7-1462035-3
67	D3591W	FU2 D3591	3	9-1462036-7
68	D3593W	FU2 D3593	5	9-1462036-8
69	D3596W	FU2 D3596	12	9-1462036-9
70	D3571N	FU2 D3571	3	7-1462035-5
71	D3573N	FU2 D3573	5	7-1462035-6
72	D3576W	FU2 D3576	12	7-1462035-4
73	D3591N	FU2 D3591	3	7-1462035-7
74	D3593N	FU2 D3553	5	7-1462035-8
75	D3596W	FU2 D3596	12	7-1462035-9
76				
77				
78				
79				
80				
81				
82				
83				
84				
85				
86				
87				


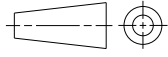
2006

RELEASED FOR PUBLICATION

THIS DRAWING IS UNPUBLISHED.

BY TYCO ELECTRONICS CORPORATION. ALL RIGHTS RESERVED.

DRAWING ALIAS

DIMENSIONS: mm	DWN UKo 9193	30Jan2006	MATERIAL	-	FINISH	-	
	CHK HD 9121	30Jan2006	 TE Connectivity				
TOLERANCES UNLESS OTHERWISE SPECIFIED: DIN 7168-m	APVD HD 9121	30Jan2006					
0 PLC ±-	PRODUCT SPEC		NAME				
1 PLC ±-	-		FT2/FU2-Relay				
2 PLC ±-	APPLICATION SPEC		Marking				
3 PLC ±-	-		SIZE	CAGE CODE	DRAWING NO	RESTRICTED TO	
4 PLC ±-	-		A4	00779	C- 1462035-2	-	
ANGLES ±-	WEIGHT		CUSTOMER DRAWING				
		SCALE		5:1	SHEET	4 OF 4	
						REV	C